

Online Research @ Cardiff

This is an Open Access document downloaded from ORCA, Cardiff University's institutional repository: <http://orca.cf.ac.uk/94287/>

This is the author's version of a work that was submitted to / accepted for publication.

Citation for final published version:

Williams, Catrin F., Geroni, Gilles M., Pirog, Antoine, Lloyd, David, Lees, Jonathan and Porch, Adrian 2016. The separated electric and magnetic field responses of luminescent bacteria exposed to pulsed microwave irradiation. *Applied Physics Letters* 109 (9) , 093701. 10.1063/1.4961970 file

Publishers page: <http://dx.doi.org/10.1063/1.4961970> <<http://dx.doi.org/10.1063/1.4961970>>

Please note:

Changes made as a result of publishing processes such as copy-editing, formatting and page numbers may not be reflected in this version. For the definitive version of this publication, please refer to the published source. You are advised to consult the publisher's version if you wish to cite this paper.

This version is being made available in accordance with publisher policies. See <http://orca.cf.ac.uk/policies.html> for usage policies. Copyright and moral rights for publications made available in ORCA are retained by the copyright holders.



1 **The separated electric and magnetic field responses of luminescent**
2 **bacteria exposed to pulsed microwave irradiation**

3

4 Catrin F. Williams^{1,2*}, Gilles M. Geroni¹, Antoine Pirog¹, David Lloyd², Jonathan
5 Lees¹, and Adrian Porch¹

6

7 **Affiliations**

8 ¹School of Engineering, Cardiff University, Queen's Buildings, Newport Road, Cardiff, CF24 3AA,
9 Wales, UK

10 ²School of Biosciences, Cardiff University, Main Building, Cathays Park, Cardiff, CF10 3AT, Wales, UK

11 *Corresponding author, email: williamscf@cardiff.ac.uk

12

13 **ABSTRACT**

14 Electromagnetic fields (EMFs) are ubiquitous in the digital world we inhabit, with microwave and
15 millimetre wave sources of non-ionizing radiation employed extensively in electronics and
16 communications, e.g. in mobile phones and Wi-Fi. Indeed, the advent of 5G systems and the
17 “internet of things” is likely to lead to massive densification of wireless networks. Whilst the thermal
18 effects of EMFs on biological systems are well characterised, their putative non-thermal effects
19 remains a controversial subject. Here we use the bioluminescent marine bacterium, *Vibrio fischeri*,
20 to monitor effects of pulsed microwave electromagnetic fields, of nominal frequency 2.5 GHz, on
21 light emission. Separated electric and magnetic field effects were investigated using a resonant
22 microwave cavity, within which the maxima of each field are separated. For pulsed electric field
23 exposure the bacteria gave reproducible responses and recovery in light emission. At the lowest
24 pulsed duty cycle (1.25%) and after short durations (100 ms) of exposure to the electric field at
25 power levels of 4.5 W rms, we observed an initial stimulation of bioluminescence, whereas
26 successive microwave pulses became inhibitory. Much of this behaviour is due to thermal effects, as
27 bacterial light output is very sensitive to the local temperature. Conversely, magnetic field exposure
28 gave no measurable short-term responses even at the highest power levels of 32 W rms. Thus, we
29 were able to detect, de-convolute, and evaluate independently the effects of separated electric and
30 magnetic fields on exposure of a luminescent biological system to microwave irradiation.

31 **MAIN TEXT**

32 Over the last 40 years, a number of insights into the effects of non-ionizing microwave and
33 millimetre-wave radiation on living cells and organisms have been presented, although their
34 interpretation remains controversial^{1,2}. Many of these publications concern incident power exposure
35 at levels well below the threshold deemed safe for human treatment regime³. The unusual nonlinear
36 responses observed, both in terms of power and frequency dependences, often suggest non-thermal

37 interaction of electromagnetic fields with biological rhythms in humans⁴, living tissue⁵ and cells in
38 culture⁶, and also with components purified from cells (membranes⁷, DNA⁸ and enzymes⁹).

39 To elucidate the extent to which the bioluminescence emitted by washed, non-proliferating
40 bacteria suspended in artificial sea-water can be influenced by pulsed microwave irradiation, 47.4 μ l
41 samples in Tygon® E-LFL Non-Bis (2-ethylhexyl) phthalate tubing (of inner diameter 0.9 mm) were
42 employed within a cylindrical aluminium resonant cavity. High spatial separation of the electric (E)
43 and magnetic (H) fields was achieved by exciting the TM₀₁₀ cavity mode. The field distributions are
44 shown schematically in Figure 1 for the case of a circumferential sample tube for magnetic field
45 excitation, and were evaluated by FEM using Poisson Superfish software (Los Alamos National
46 Laboratories¹⁰). The cavity's inner radius is 4.6 cm, giving a resonant frequency of approximately 2.5
47 GHz when empty. The inner length is 4.0 cm, which is long enough to ensure high uniformity of the
48 axial E field (i.e. it is ostensibly not affected by the sample holes) but short enough to ensure that the
49 TM₀₁₀ mode is spectrally well-separated¹¹ from other modes, the next nearest mode being TM₁₁₀ at 4
50 GHz. Excitation of the TM₀₁₀ mode is provided by a loop-terminated N-type connector, which couples
51 to the H field around the perimeter of the cavity. The unloaded quality factor *Q* of the empty cavity
52 is measured to be 3000. The coupling loop can be both rotated and moved in and out of the cavity to
53 achieve critical coupling, whereby virtually all incident power is absorbed by the cavity and its
54 contents.

55 A schematic of the external microwave circuitry is shown in Figure 2. The microwave
56 generator (1, Telemakus TEG27006) provides a single-tone output at a power level of 1 mW rms. The
57 switch (2, Telemakus TES6000-30) directs the signal either to the input of the microwave power
58 amplifier (MPA, 3, Mini-circuits ZHL-30W-262) for cavity excitation "on", or into a 50 Ω matched load
59 for cavity excitation "off". The MPA provides a maximum output power of up to 40 W rms and a
60 power gain of approximately 50 dB. Transmitted and reflected powers are measured using the
61 combination of the directional coupler (4, Mini-circuits ZABDC20-322H) and the precision power

62 sensors (5, Telemakus TED6000-50). A broadband power sensor (Rhode & Schwarz NRP-Z81) is
63 included for detailed measurement of the power profile of the reflected pulses. The instruments are
64 controlled using National Instruments LabVIEW software, which also records all power readings. The
65 system was arranged to deliver pulsed input power of 4.5 W rms for electric field excitation, or up to
66 32 W for magnetic field excitation.

67 *Vibrio fischeri* bacteria (strain NRRL-B-11177) were cultured in a sea water broth (for 20-24 h
68 at 25°C with 150 rev/min shaking) to stationary phase, the point at which the bioluminescence
69 pathway is activated, as described by Scheerer et al.¹². Traces of culture medium were removed by
70 washing twice in artificial sea water buffer by centrifugation (MSE, 10 min, 3000 g). Cells were then
71 pumped into the Tygon® tube, which passed through the 5 mm diameter entrance and exit ports in
72 cavity walls. From the field distributions of Figure 1(a) it can be seen that when the tube is run along
73 cavity axis the bacteria are subjected primarily to E field excitation. Conversely, when a section of
74 the tube is run around the circumferential wall (as actually shown in Figure 1) they are subjected
75 primarily to H field excitation. Before exposure, the coupling loop is carefully adjusted to ensure
76 almost critical coupling, whereby the cavity (plus sample load) is impedance matched to the 50 Ω
77 system impedance and all of the input power is delivered to the cavity and its contents. This is
78 confirmed by careful initial measurements of reflected cavity power as a function of frequency
79 measured using a network analyser (Agilent Fieldfox N9923A), before reconnecting to the power
80 delivery system shown in Figure 2. Individual pulse widths were fixed at 100 ms and the duty cycle
81 was varied from 1.25% to 100%. An optical fibre was attached to the sample tube and connected to
82 a photon counting head (Hamamatsu H7467). The photon counts emitted by the bacteria were then
83 measured under microwave excitation using an integration time of 100 ms to reduce measurement
84 noise.

85 A crucial factor in the design and conclusions of our experiments is the very high degree of E
86 and H field spatial separation produced by simply changing the position of the sample. This

87 separation can be demonstrated experimentally. When E field excited, the axial sample reduces the
88 resonant frequency from 2.50 GHz to 2.48 GHz (i.e. a reduction of 20 MHz), and the Q factor reduces
89 dramatically from 3000 to 50. This shows the very effective coupling to the E field in this sample
90 orientation. When H field excited, the circumferential sample reduces the resonant frequency by
91 only 1.5 MHz, with no measureable effect on Q . This indicates that there is negligible E field around
92 the perimeter of the cavity (as expected from Figure 1(b)). Furthermore, any residual electric field is
93 perpendicular to the axis of the sample tube, reducing the E field magnitude within the sea water
94 even further by depolarisation owing to its large relative permittivity ϵ (around 80 for its real part¹³).

95 The high degree of field separation is reinforced by the simulated field distribution plots of
96 Figure 1, which shows the perturbed electric and magnetic fields when a circumferential sample is
97 present. In Figure 1 the perturbations have been exaggerated by simulating a much larger diameter
98 tube (of inner diameter 2 mm instead of the practical case of 0.9 mm), placed nearer the axis (3.7 cm
99 from the axis, instead of 4.47 cm in the practical case). As can be seen, the reduction of electric field
100 (Figure 1(a)) within the sample is almost total due to depolarisation, whereas the magnetic field
101 (Figure 1(b)) is almost unaffected. For an axial sample the electric field within the sample is
102 approximately the same of that of the unperturbed cavity, whereas the magnetic field within the
103 sample is enhanced over the unperturbed case (by a factor of approximately $|\epsilon|$) owing to the
104 increased displacement current within the dielectric sample. The calculated values of the peak E and
105 H fields averaged over the sample volume for the two sample orientations (with rms input powers of
106 4.5 W for E field excitation and 32 W for H field excitation) are shown in Table 1. These values are for
107 the actual practical case of a 0.9 mm diameter sample, placed on axis or circumferentially a radial
108 distance of 4.47cm from the axis. The electric field magnitude for the axial sample is a factor of x114
109 larger than for the circumferential sample (i.e. a field intensity E^2 increase of x12900); the magnetic
110 field magnitude for the circumferential sample is a factor of x11.2 larger (i.e. a field intensity H^2
111 increase of x126). We conclude that any action for the axial sample is driven by the E field, whilst for
112 the circumferential sample is driven by the H field.

113 The temporal dependence of the measured bioluminescence under microwave exposure in
114 the two sample orientations are shown in Figure 3. Data for the E field excited sample for a 40 s
115 burst of microwave pulses at a power level of 4.5 W rms is shown in the red line plot of Figure 3(a),
116 with microwave pulses of 100 ms duration and 1.25% duty cycle (i.e. six pulses at approximately 8 s
117 intervals). The light output is normalised to the value before exposure, to take into account the
118 natural decay of light output owing to experiments being conducted at different times. The peak E
119 field magnitude was calculated to be 13400 V/m for the axial sample (Table 1). It can be seen that E
120 field excitation leads to an initial enhancement of approximately 12% in light output. Subsequent
121 microwave E field pulses leads to suppression of light output, which diminishes to a greater extent
122 following each 100 ms microwave pulse. These responses of bacterial bioluminescence to the
123 microwave E field are almost certainly due to thermal inhibition, as the sensitivity of bacterial
124 bioluminescence to temperature is well established¹⁴. The increased suppression of light output with
125 increasing number of pulses is most likely due to the constant increase in sample temperature after
126 each pulse, given that the light output power is a rapidly decreasing function of temperature in the
127 inhibition regime. A surface temperature rise of 4⁰C was measured using a thermal imaging camera
128 (Micro-Epsilon) across the sample tube at a power of 4.5 W rms and duty cycle of 1.25%. The
129 equivalent data for H field exposure are also shown in Figure 3(a), for a 10 s burst of microwaves at a
130 power level of 32 W. The peak H field here was calculated to be 183 A/m. Most importantly, no H
131 field effects were measured, even when the power level was increased accordingly. This indicates
132 that, firstly, there is negligible E field present at the sample in this configuration, and secondly that
133 the H field component of the microwave excitation does not measurably influence the
134 bioluminescence intensity at these high power levels. Figure 3(b) shows the repeatability of the E
135 field exposure measurement for three consecutive pulses, for two separate samples. Whilst most of
136 the features of Figure 3 for E field exposure can be explained as having thermal origin (since the
137 bioluminescence is acting as a very sensitive local temperature probe), we are intrigued by the

138 relatively slow recovery to each of the pulses, and the long term enhancement of light output that
139 cannot be accounted for by increased global temperature alone.

140 To conclude: our results show the direct bacterial interaction with a microwave electric field
141 with a high degree of suppression of its magnetic component over that of a travelling wave, and *vice*
142 *versa* for the magnetic field. They indicate the exciting possibilities for further work using this hybrid
143 experimental system to resolve long-standing questions on the extent and importance of non-
144 thermal (i.e. short-pulsed electric field) contributions to widely observed (but unexplained)
145 microwave effects on living tissue, mammalian cells in culture and also with components purified
146 from cells. Of major societal concern, for example, are the possible effects of wireless technologies
147 on child development¹⁵. In the future we will investigate the frequency dependence of the same
148 perturbations over a broader frequency range and attempt to separate the thermal and non-thermal
149 contributions to the response. We will also elucidate the stage(s) in the bacterial bioluminescence
150 reaction sequence where these perturbations occur, and probe the exact molecular mechanisms
151 involved.

152 **Acknowledgements**

153 We thank Sêr Cymru National Research Network in Advanced Engineering and Materials for
154 a post-doctoral research assistantship (NRN062) to CFW, ENSEIRB (Bordeaux, France) for providing
155 support to A.Pi. for his internship at Cardiff University, Andrew Rankmore (School of Engineering,
156 Cardiff University) for the mechanical construction of the microwave cavity, and Nick Clark (School of
157 Engineering, Cardiff University) for help with the LabVIEW control software. *Vibrio fischeri* strain
158 NRRL-B-11177 was kindly supplied by Dr. Michael H Rayner-Brandes.

159 **References**

- 160 1. L. Gherardini, G. Ciuti, S. Tognarelli, and C. Cinti, *Int. J. Mol. Sci.* **15**, 5366-5387 (2014).
- 161 2. D. T. Pooley, *Q. J. Med.* **103**, 545-554 (2010).

- 162 3. World Health Organisation Research Agenda for Radiofrequency Fields. (2010) ISBN 978 92 4
163 159994 8.
- 164 4. N. Halgamuge, *Indian J. Biochem. Biophys.* **50**, 259-265 (2013).
- 165 5. Y. Feldman, A. Puzenko, P. Ben Ishai, A. Caduff, and A. Agranat, *Phys. Rev. Lett.* **100**, 128102
166 (2008).
- 167 6. S. Franzelleti, P. Valbones, N. Ciancaglini, C. Biondi, A. Contin, F. Bersani, and E. Fabbri, *Mutat.*
168 *Res.* **683**, 35-42 (2010).
- 169 7. S. Gekle, and R. R. Netz, *J. Phys. Chem. B.* **118**, 4963-4969 (2014).
- 170 8. I.Y. Belyaev, Y.D. Alipov, V.S. Sheheglov, and V.N. Lystsov, *A. Naturforsch* **47**, 621-627 (1992).
- 171 9. Z. Yang, X. Niu, X. Fang, G. Chen, H. Yue, L. Wang, D. Zhao, and Z. Wang, *Molecules* **18**, 5472-
172 5481 (2013).
- 173 10. K. Halbach and R. F. Holsinger, *Particle Accelerators* **7**, 213-222 (1976)
- 174 11. D.R. Slocombe, A. Porch, E. Bustarret, and O. Williams, *Appl. Phys. Lett.* **102**, 244102 (2013).
- 175 12. S. Scheerer, F. Gomez, and D. Lloyd, *J. Micro. Meth.* **67**, 321-329 (2006).
- 176 13. T. Meissner, and F.J. Wentz, *IEEE Trans. Geosci. Remote Sensing* **42**, 1836-1849 (2004).
- 177 14. D.E. Brown, F.H. Johnson, and D.A. Marsland, *J. Cell. Comp. Physiol.* **20**, 151-168 (1942).
- 178 15. L.L. Morgan, S. Kesari, and D.L. Davis, *J. Microscopy Ultrastruct.* **2**, 197-204 (2014).
- 179

180 **Tables and Figure Captions**

181 **Table 1:** *The calculated magnitudes of the axial electric field and circumferential magnetic field*
182 *averaged over the sample volume, for axial and circumferential samples.*

	Ez (V/m)	H ϕ (A/m)
Tube in axial position (4.5 W)	13400	16.3
Tube in circumferential position (32 W)	118	183

183

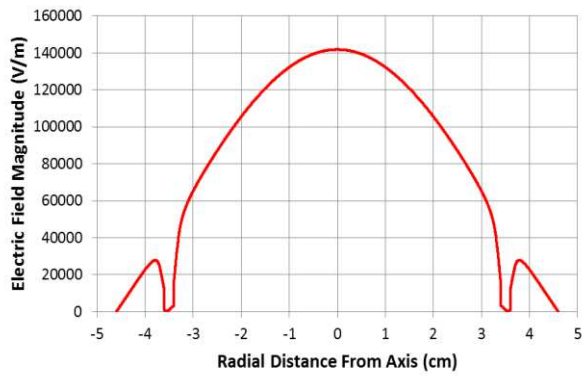
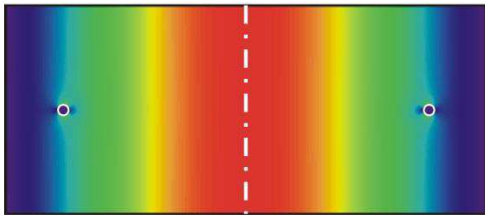
184 **Figure 1:** *(a) The electric, and (b) magnetic field magnitudes of the TM_{010} mode when perturbed with*
185 *a circumferential sample, of diameter 2 mm and moved inwards to a radial distance of 3.7 cm from*
186 *the cavity's axis to exaggerate its perturbation of the fields for illustration purposes. The radial line*
187 *plots are drawn within the mid-plane, which contains the sample tube.*

188 **Figure 2:** *The microwave circuitry used for sample excitations.*

189 **Figure 3:** *(a) Effects of microwave exposure to bacterial bioluminescence. The blue line plots (top*
190 *horizontal axis) are for magnetic field exposure, with 32 W rms power applied for 10 s between the*
191 *interval 10 – 20 s. Data for H field exposure is shown for a range of duty cycles varying from 1.25% to*
192 *100% (different shades of blue), with no measured change in response for all. The red line plot*
193 *(bottom horizontal axis) is for electric field exposure with 100 ms pulses of microwaves at 4.5 W rms*
194 *power and 1.25% duty cycle, applied between 20 – 60 s. (b) Detail of the effects of the electric field*
195 *exposure of (a) for three consecutive pulses (indicated with arrows on (a)), with error bars indicating*
196 *the standard deviation of two replicates.*

Figure 1

(a)



(b)

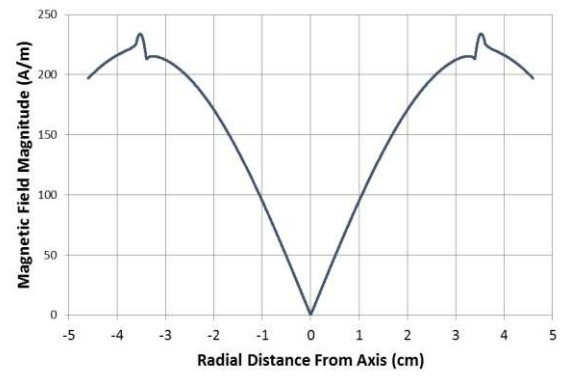
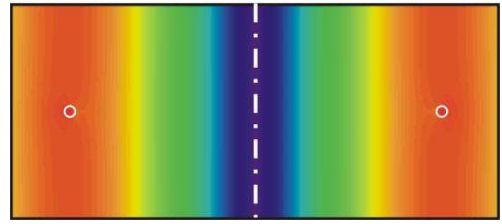


Figure 2

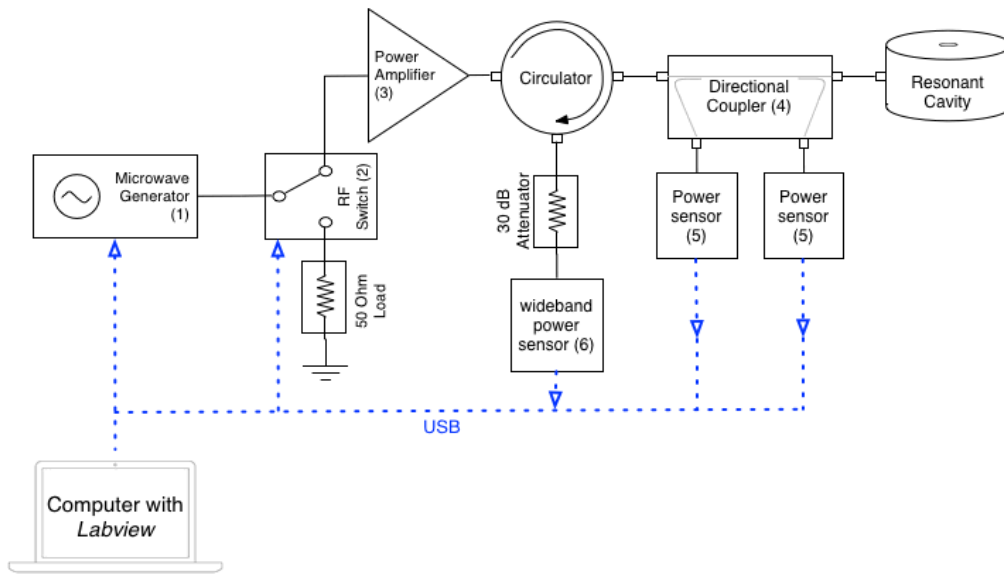


Figure 3

